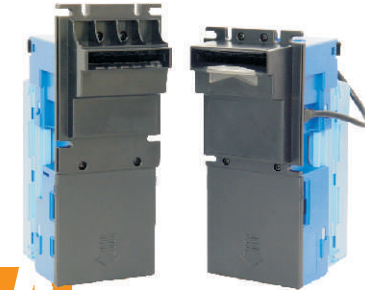




www.ictgroup.com.tw



XBA Bill Acceptor

Quick Start Guide

Before Start

Dear valuable customers, thank you for purchasing the XBA bill acceptor. XBA equips with innovative wide-angle banknote insertion technology to offer superior acceptance rate of 98% or higher. With the outstanding design, the XBA has the ability to provide very high degree of immunity to strong ambient light, and the advanced optical/mechanical anti-fishing structure for better investment protection. The built-in USB port allows firmware upgrades via USB flash drive conveniently.

Before the installation starts, please check the package contents of XBA bill acceptor as below:

- ◆ XBA Bill Acceptor
- ◆ WEL-RS7P02 Power and Data Communication cable
- ◆ Bill insertion bezel sticker
- ◆ DIP switch setting guide
- ◆ Quick Start Guide

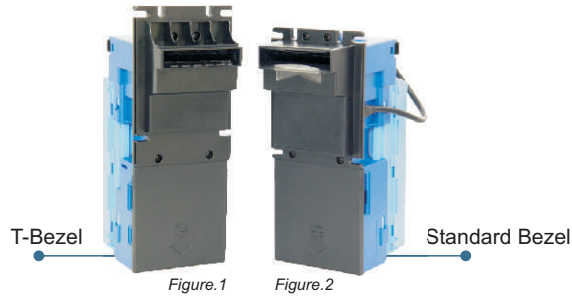
Should you have further questions,
XBA Bill Acceptor Installation & Service Manual can be downloaded at:
www.ictgroup.com.tw

Select “Support” from menu, then click “Manual Download”.

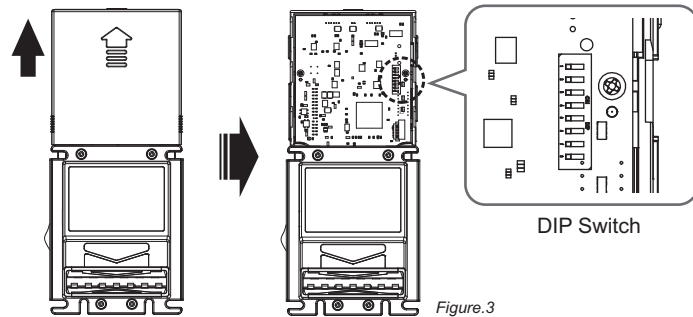
Start Installation

STEP 1: Confirm the bezel you need

There are two types of front bezels based on the vending machine requirement as below. Be sure to choose the one you need before order/installation. Each bill acceptor comes with ONE bezel only.



STEP 2: Select interface



Interface	SW6	SW7	SW8
Pulse	ON		
MDB	OFF	OFF	OFF
RS-232(ICT-002 Protocol)	OFF	OFF	ON
RS-232(ICT-104V Protocol)	OFF	ON	ON

Table.1

Note: Please select RS-232 interface(ICT-104V) if you choose to connect XBA through ICT coin changer.

STEP 3: Prepare the connection cable

We provide the cables for MDB, RS-232(ICT Protocol) and PULSE interface, each bill acceptor comes with ONE cable only. Please select the one you need to connect.

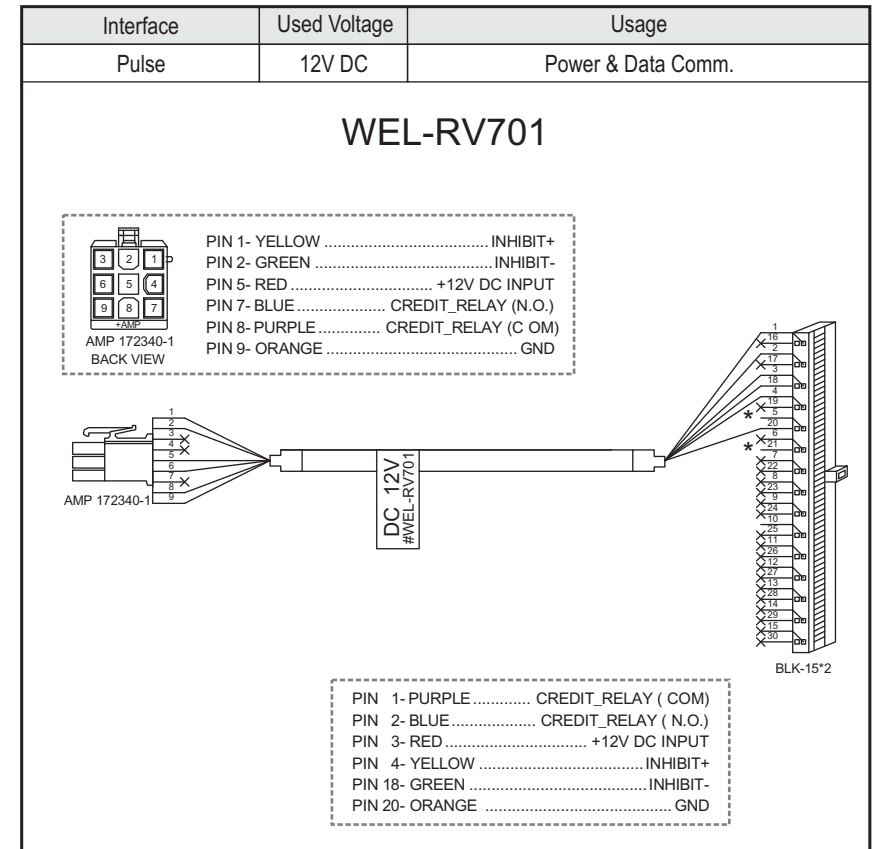


Figure.4

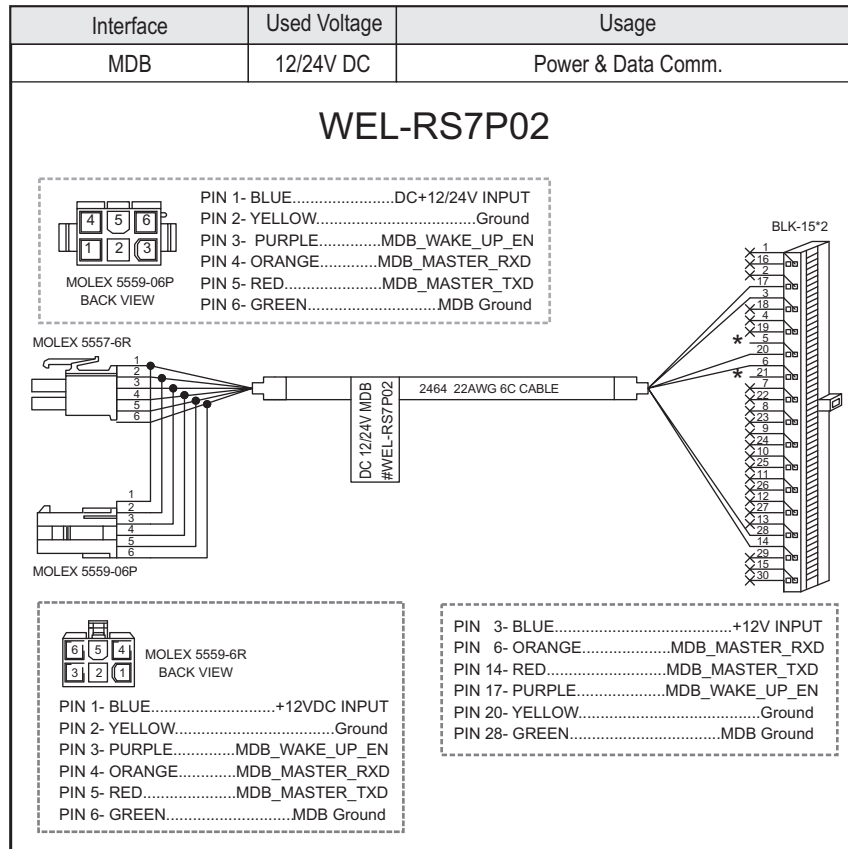


Figure.5

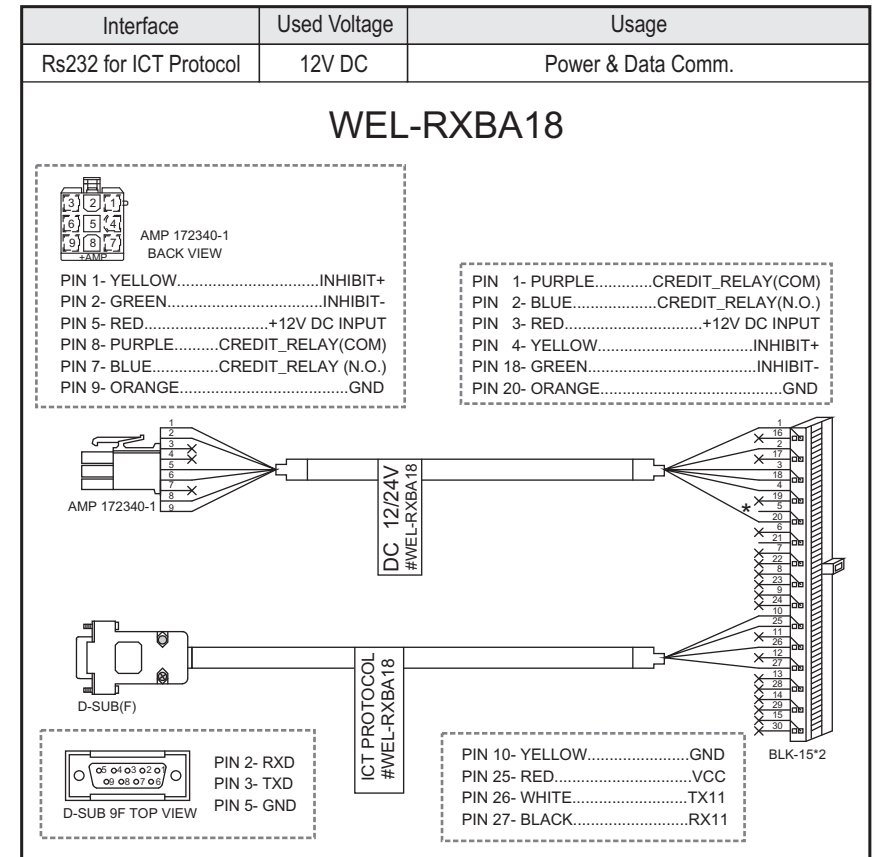


Figure.6

Note: Please select MDB: WEL-RS7P02 cable if you choose to connect XBA through ICT coin changer.

STEP 4: Configure the power-saving function

If your VMC board provides sleep and wake-up function (for example, battery-operated vending machine), then it can be worked with our power-saving mode to minimize the power consumption while the machine is on standby. This function allows your battery-operated vending machine to work longer.

Note:

1. The wake-up function is triggered through PIN3 of WEL-RS7P02 cable.
2. Please do NOT select this mode in case your VMC does not support sleep / wake-up function. It may cause abnormal operation to affect the transaction.

Mode	SW3	SW4
No power-saving mode	OFF	OFF

Table.2

Mode 1	SW3	SW4
XBA wakes up by bill insertion and then wakes up VMC	OFF	ON

Table.3

Mode 2	SW3	SW4
XBA wakes up by VMC	ON	OFF

Table.4

Mode 1 + 2	SW3	SW4
XBA wakes up by bill insertion or VMC	ON	ON

Table.5

STEP 5: Power off the vending machine

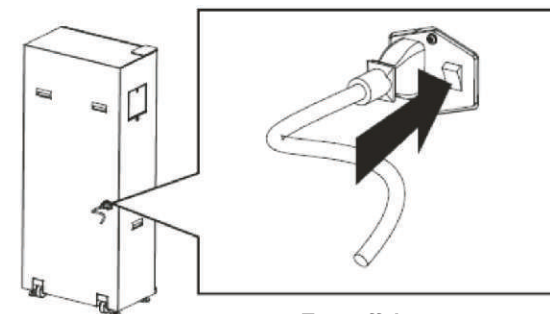


Figure.7

Turn off the power

STEP 6: Open the door and install XBA on the vending machine

<T-Bezel>

Step 6-1.
Install the mounting frame on the vending machine and ensure it is secured.

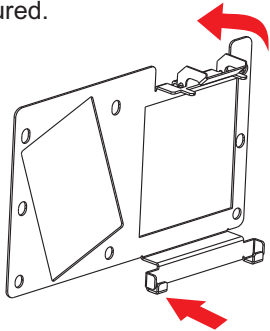


Figure.8

Step 6-2.
Hook up the cable with XBA through the 30-pin connector.

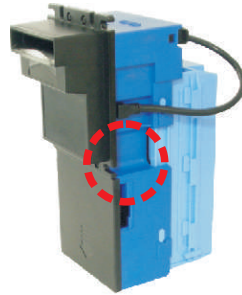


Figure.9

Step 6-3.
Buckle the XBA to the mounting frame.

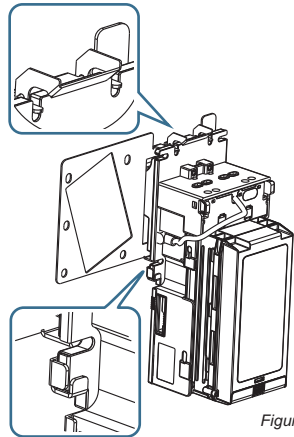


Figure.10

Step 6-4.
Connect the other end of the cable to VMC to complete the installation.

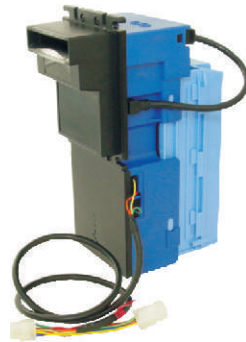


Figure.11

Note:
Please hook up the MOLEX 5557-6R connector of WEL-RS7P02 with the ICT coin changer cable if you choose to connect XBA through it.

<Standard Bezel>

Step 6-1.
Install the mounting frame on the vending machine and ensure it is secured.

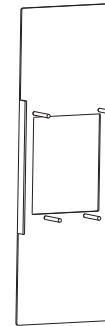


Figure.12

Step 6-2.
Hook up the cable to XBA through the 30-pin connector.

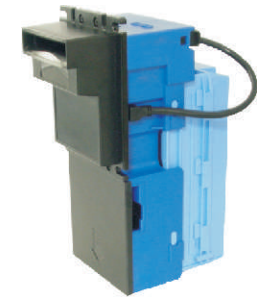


Figure.13

Step 6-3.
Remove the cashbox, install the XBA on the mounting frame and then fasten the four screws.

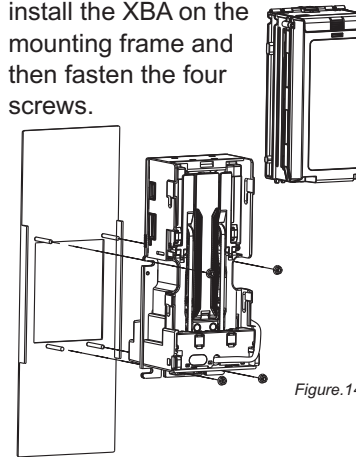


Figure.14

Step 6-4.
Install the cashbox and connect the other end of the cable to VMC to complete the installation.

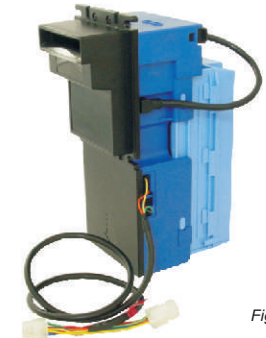


Figure.15

Note:
Please hook up the MOLEX 5557-6R connector of WEL-RS7P02 with the ICT coin changer cable if you choose to connect XBA through it.

STEP 7: Power off the vending machine

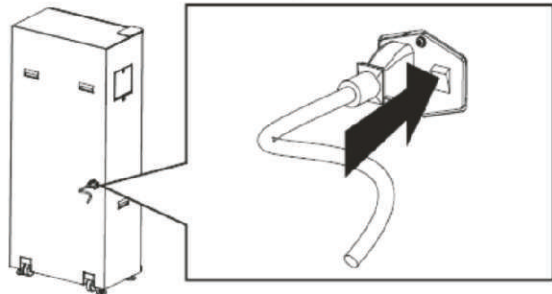
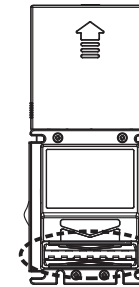


Figure.16

Close the door and power on

STEP 8: Check the LED flashing
 Bezel LED :
 Green means bill acceptor is working normally; if not, check the back LED as below.



Bezel LED

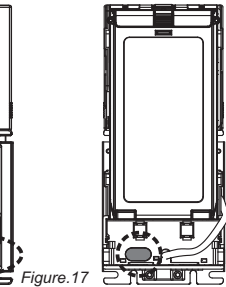


Figure.18

Back LED

LED Flashes	Status	Corrective Actions
1	Bill jammed.	Remove the bill box by sliding the top button and the bill path, and then remove the jammed bill.
2	Disable.	Inspect for right DIP switch setting.
3	Recognition sensor error.	Inspect for foreign objects on sensor or bill path and clean.
3+2	Hook sensor error.	Inspect for foreign objects on security hook and clean.
3+4 (Optional)	Out sensor error.	Inspect for foreign objects on sensor or bill path and clean.
4	Anti-string sensor error or a stringing attempt has detected.	Inspect for foreign objects on sensor or bill path and clean.
5	Bill box has been removed.	Replace the bill box.
6	Stacker error or stacker full.	Empty the bill box.
7	Motor error.	Inspect for foreign objects on bill path and clean.

Table.6

STEP 9: Transaction testing

Insert bills of each accepted denomination, check if they are accepted and stored into the cashbox. If any problem occurs, please refer to the troubleshooting section in the service manual or contact local ICT distributor.

Note:

Please refer to the provided DIP switch setting guide to configure more options if necessary.