



Card Vending
Dispenser

CSD-600
Installation Guide



Use of Materials Limitations

International Currency Technologies Corporation (ICT) all rights reserved.

All materials contained are the copyrighted property of ICT.

All trademarks, service marks, and trade names are proprietary to ICT.

ICT reserves the right at all times to disclose or to modify any information as ICT deems necessary to satisfy any applicable law, regulation, legal process or governmental request, or to edit, refuse to post or to remove any information or materials, in whole or in part, in ICT's sole discretion.

Contents

1. Introduction.....	1
1-1. Features.....	1
2. Specifications.....	1
Electrical.....	1
Mechanical.....	2
3. Packing List.....	2
4. Dimensions.....	3
5. Installation.....	4
5-1. Harness Application.....	4
5-1-1. Pin Assignment.....	6
5-1-2. I/O Circuits.....	7
5-2. DIP Switch Setting.....	9
6. Operation.....	10
6-1. How to adjust thickness of cards.....	10
6-2. How to fill cards.....	11
7. Maintenance.....	12
8. Troubleshooting.....	13

1. Introduction:

1-1. Features

CSD-600 is a card vending dispenser which features better card capacity as a reliable card dispenser which is able to work steadily in fast card dispensing time to approx. 1.5 second per card.

CSD-600 features as below:

- Easy Cards Filling.
- 12V DC and 24V DC Acceptable.
- Card Capacity Available from 300 Cards to 1000 Cards.

2. Specifications:

Electrical

Card Dispensing Time	Approx. 1.5 seconds
Power Source	12V DC (11.4~12.6V DC) 24V DC (22.8~25.2V DC)
Power Consumption	12V DC- Standby : 0.5 A, 6 W Operation: 1.25 A, 15 W Maximum: 2.5 A, 30 W 24V DC- Standby : 0.16 A, 4 W Operation: 0.83 A, 20 W Maximum: 1.66 A, 40 W
Interface	Pulse

Installation	Vertical
Operation Environment	Operation Temperature: 0°C~+50°C Humidity: 30%~90% (non-condensation)



Installation: Indoor use only!!

Mechanical

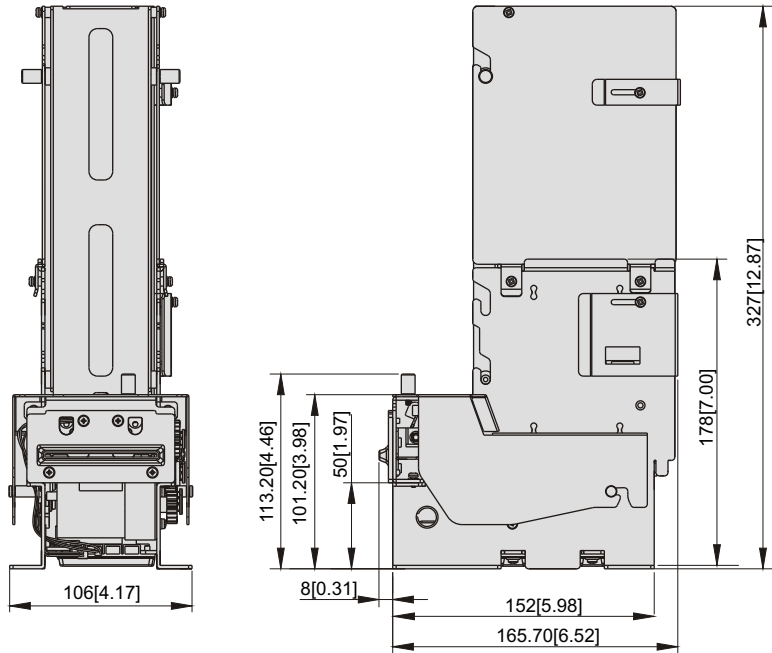
Applicable Cards	Material: Plastic, Paper Cards Size: Thickness.....0.2~1.0 ±0.025 mm(max.) Width.....63 ±0.5mm Length.....76~90 ±0.5mm
Card Capacity	Approx. 600 Cards (a card thickness of 0.4mm)
Outline Dimension	Refer to page.3
Weight	Approx. 2.9 kg

3. Packing List:

Main	Card Vending Dispenser
Accessory	CSD-600 Installation Guide Harness: Refer to 5-1

4. Dimensions:

Figure.1



Unit : mm [inch]

5. Installation:

5-1. Harness Application

◆Power Supply

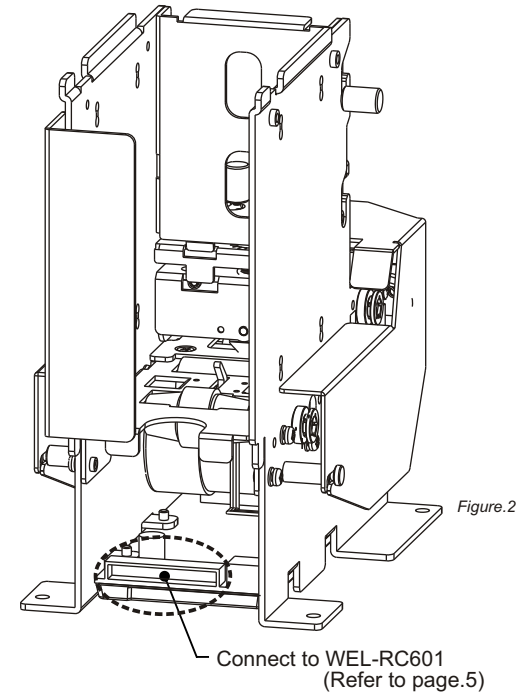


Figure.2

Connect to WEL-RC601
(Refer to page.5)

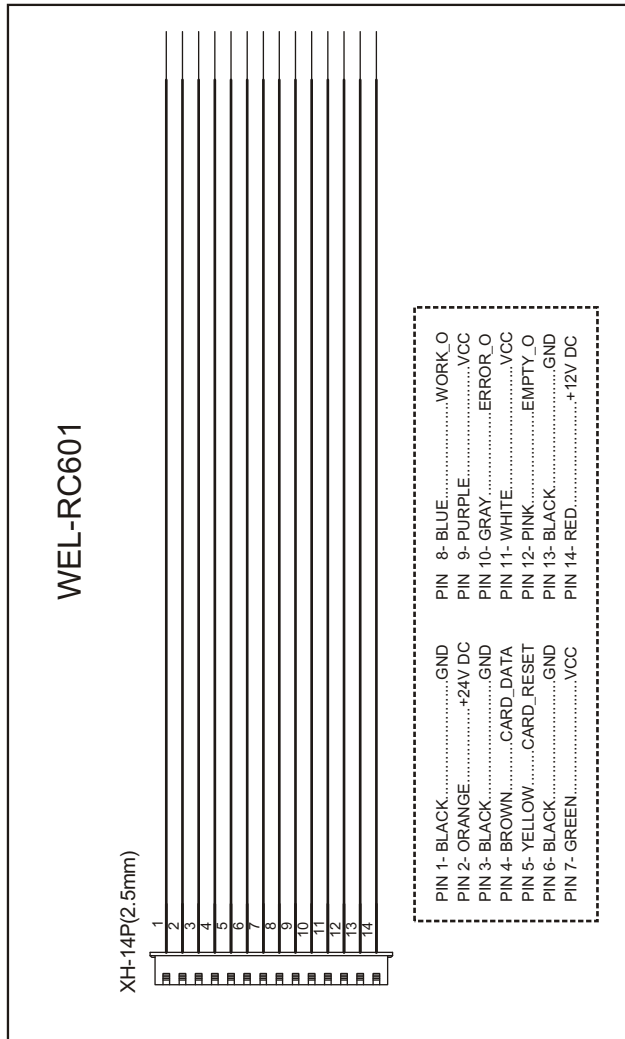


Figure.3

5-1-1. Pin Assignment

◆Pulse Signal Mode

Table.1

Pin	Assign	Function		Harness Color (WEL-RC601)
1	CN_1	POWER SUPPLY	GND	BLACK
2	CN_2	POWER SUPPLY (option)	+24V DC	ORANGE
3	CN_3	POWER SUPPLY	GND	BLACK
4	CN_4	CARD_DATA	Input signal controller	BROWN
5	CN_5	CARD_RESET	Input signal controller	YELLOW
6	CN_6	POWER SUPPLY	GND	BLACK
7	CN_7	VCC	Ouput +5V DC	GREEN
8	CN_8	WORK_OK	Ouput signal controller	BLUE
9	CN_9	VCC	Ouput +5V DC	PURPLE
10	CN_10	ERROR	Ouput signal controller	GRAY
11	CN_11	VCC	Ouput +5V DC	WHITE
12	CN_12	EMPTY	Ouput signal controller	PINK
13	CN_13	POWER SUPPLY	GND	BLACK
14	CN_14	POWER SUPPLY (option)	+12V DC	RED

❖ Operation Voltage can be +12V DC or +24V DC.

5-1-2. I/O Circuits

Pulse Interface Customer Recommend Circuit.

Figure.4

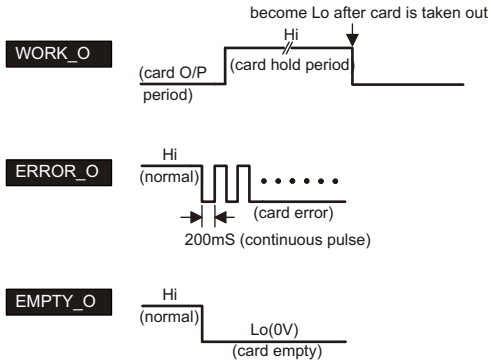
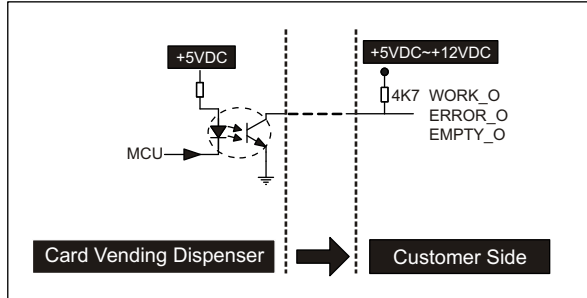
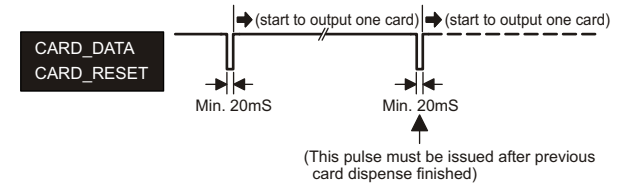
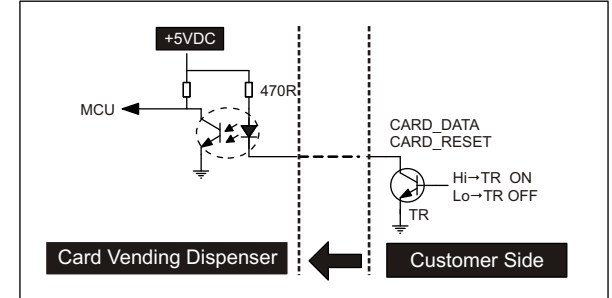


Figure.5



5-2. DIP Switch Setting

A serial DIP switches are located on rare CSD-600 (as figure.6).

According to different functions, DIP switch settings could be varied to fit users' need.

For more DIP switch settings, please refer to the following charts.

◆ Function Setting:

A. Retry Times Setting:

Retry Times	SW1	SW2
1	OFF	OFF
★ 2	ON	OFF
4	OFF	ON
8	ON	ON

(★) Default

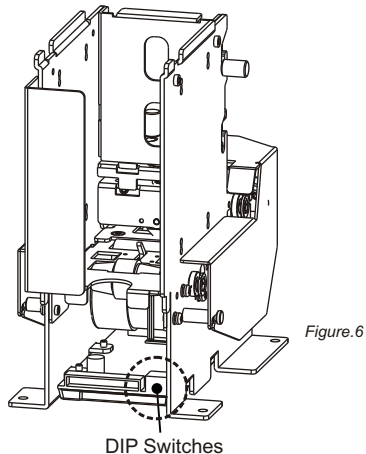


Figure.6

DIP Switches

6. Operation

6-1. How to adjust thickness of cards

1. Loose two fixing-screws clockwise to move gate up/down.
2. Turn adjusting-screw clockwise to move the gate upward.
3. Put one sample card into gate and turn adjusting-screw simultaneously until the card can pass the gate smoothly.
4. Turn adjusting-screw clockwise (gate upward) few scales.

Thickness of a Card	Turning Scale
0.2 ~ 0.3mm	1 grid
0.4 ~ 0.5mm	2 grids
0.6 ~ 0.8mm	3 grids
0.9 ~ 1.0mm	4 grids

Table.3

5. Fasten the fixing-screws.

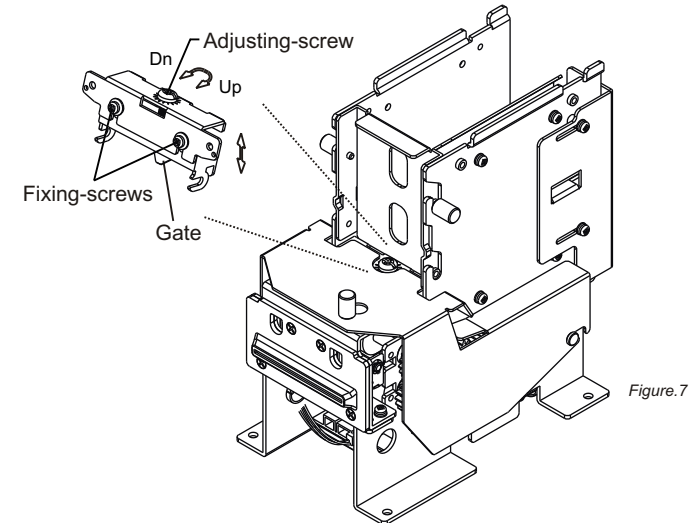


Figure.7

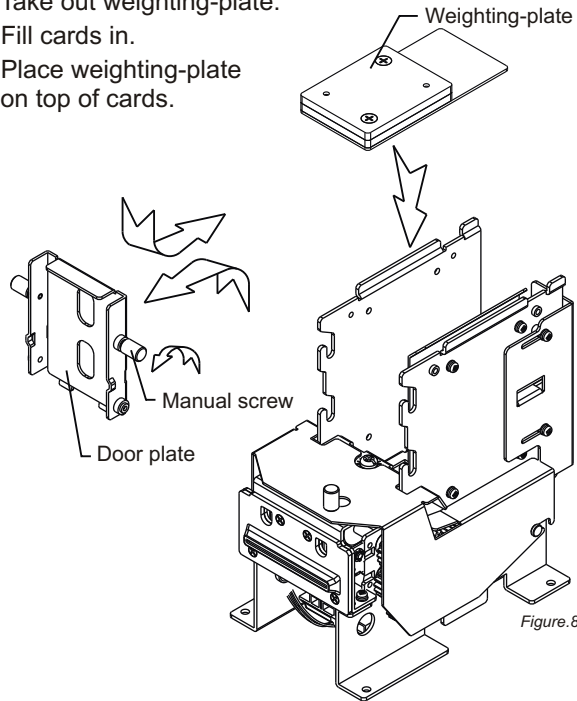
6-2. How to fill cards

A. Fill cards from the front:

1. Loose manual screw, and take out door plate.
2. Take out weighting-plate.
3. Fill cards in.
4. Place weighting-plate on top of cards.
5. Put door plate back and tighten manual screw.


B. Fill cards from the rear:

1. Take out weighting-plate.
2. Fill cards in.
3. Place weighting-plate on top of cards.



7. Maintenance

Please follow the notice as below for routine maintenance:

<i>Maintenance Notice</i> <i>(Any improper maintenance will result invalid warranty.)</i>					
	<table border="1" style="width: 100%; border-collapse: collapse;"> <tr> <td style="text-align: center; width: 20%; padding: 2px;">Recommended</td> <td style="padding: 2px;">Mild, non-abrasive, soap water.</td> </tr> <tr> <td style="text-align: center; padding: 2px;">DO NOT USE</td> <td style="padding: 2px;">Organic solvent , Alcohol, Volatility liquid.</td> </tr> </table>	Recommended	Mild, non-abrasive, soap water.	DO NOT USE	Organic solvent , Alcohol, Volatility liquid.
Recommended	Mild, non-abrasive, soap water.				
DO NOT USE	Organic solvent , Alcohol, Volatility liquid.				

8. Troubleshooting

Table.4

Status	Corrective Actions
Card Dispensing Error	<ol style="list-style-type: none"> 1. Check if there is any Error signal or Empty Signal. 2. Check if there is any foreign object blocking dispensing slot.
Card Preparing Error	Re-adjust thickness of card. (Refer to 6-1)



International Currency Technologies Corporation

Ji-Hong Building, No 24, Alley 38, Lane 91, Nei-hu Rd., Sec. 1, Taipei, Taiwan, R.O.C.

Tel: 886-2-2797-1238 · Fax: 886-2-2797-1634

sales@ictgroup.com.tw (For Sales) · rma@ictgroup.com.tw (For Customer Service)

Website: www.ictgroup.com.tw



If the error can not be solved after corrective actions or happen again, please contact ICT for technical support.