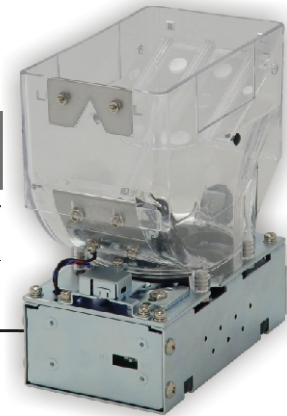




SMH

Super Mini Hopper

Coin Hopper
Installation Guide



Use of Materials Limitations

International Currency Technologies Corporation (ICT) all rights reserved.

All materials contained are the copyrighted property of ICT.

All trademarks, service marks, and trade names are proprietary to ICT.

ICT reserves the right at all times to disclose or to modify any information as ICT deems necessary to satisfy any applicable law, regulation, legal process or governmental request, or to edit, refuse to post or to remove any information or materials, in whole or in part, in ICT's sole discretion.

Contents

1. Introduction.....	2
1-1. Overview.....	2
1-2. Features.....	2
2. Specifications.....	2
General.....	2
Electrical.....	3
Mechanical.....	3
3. Packing List.....	4
4. Model Number Configuration.....	4
5. Dimension.....	5
5-1. Adjustment Coin Dimensions.....	6
6. Installation.....	8
6-1. Connection.....	8
6-2. Heightening Coin Box Installation.....	10
6-3. I/O Circuit.....	11
6-4. Credit Output Setting.....	13
7. Maintenance.....	14

1. Introduction

1-1. Overview

Super Mini Hopper is a single denomination coin dispensing unit. Users can adjust coin dimension with different coin adjustment points. The design of Super Mini Hopper is easy operated, trouble-free and high reliable.

1-2. Features

- Double sensors, double protection.
- Easy maintenance.
- Easy installation.
- Coin size adjustable.
- Advanced coin low level detection.
- Compact design with enormous capacity.

2. Specifications

General

Dispensing Speed:	12V....5~ 7 coin/second 24V....8~10 coin/second
Counting Method:	Obstruct Sensor
Interface:	Hopper Mode
Installation:	Indoor

Electrical

Power Source:	SMH-125XX...12V DC $\pm 5\%$ SMH-245XX...24V DC $\pm 5\%$
Power Consumption:	Standby : 5mA Max : 4A
Operation Environment:	Storage Temperature : -30°C~+70°C Operating Temperature : +5°C~+40°C

Mechanical

Outline Dimension:	Refer to page. 5
Coin Capacity (coins):	Coin Box- Approx.550 Heighten Coin Box- Approx.500
Applicable Coin Siset:	A Type- (Diameter) 20 mm~ 25 mm (Thickness) 1.6 mm~ 2.4 mm B Type- (Diameter) 26 mm ~ 30 mm (Thickness) 1.5 mm~ 2.0 mm C Type- (Diameter) 20 mm~ 23 mm (Thickness) 1.5 mm~ 2.1 mm D Type- (Diameter) 20 mm ~ 25 mm (Thickness) 2.4 mm~ 3.3 mm

Low Level Coins:	Coin Box- Approx.50 coins
Net Weight:	Approx. 1.04 kg

3. Packing List

Main: Super Mini Hopper

Accessory: Harnesses: Refer to 6-1
Super Mini Hopper Installation Guide

4. Model Number

SMH-XX XX XX XX
 ↑ ↑ ↑ ↑ ↑ ↑
 A B C D E F G

Table 1

A. Model Type:		D. Coin Box:	
SMH	Super Mini Hopper	2	Coin Box(A2905B-R)
		1	Coin Box(A2685C-R)
B. Voltage:		E. Interface:	
12	12V DC	H	Hopper Mode
24	24V DC		
C. Control Board:		F. Applicable Coin Size:	
1	Non Control Board	A	A Type
2	Control Board	B	B Type
		C	C Type
		D	D Type
G. Signal Wire Specification:			
1	Hi Level Signal Wire Length 30cm		
A	Non Hi Level Signal Wire		
B	Non Hi Level Signal Wire & Low Level Signal Wire		

5. Dimension

Coin Box

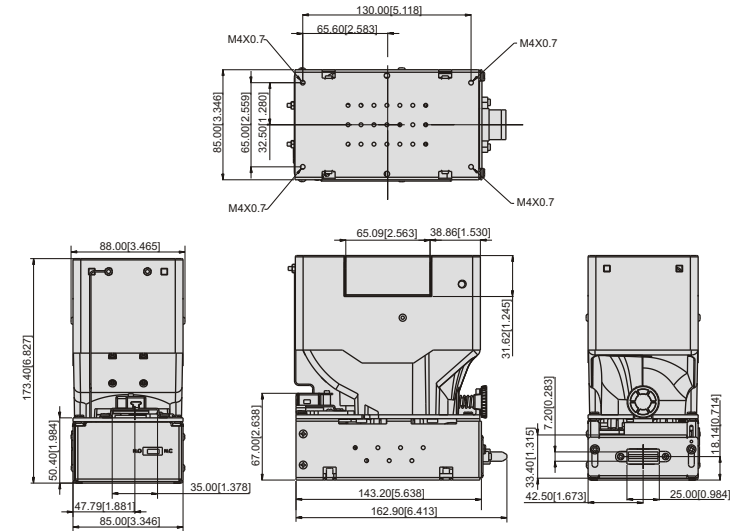


Figure 1

Unit : mm [inch]

Heighten Coin Box

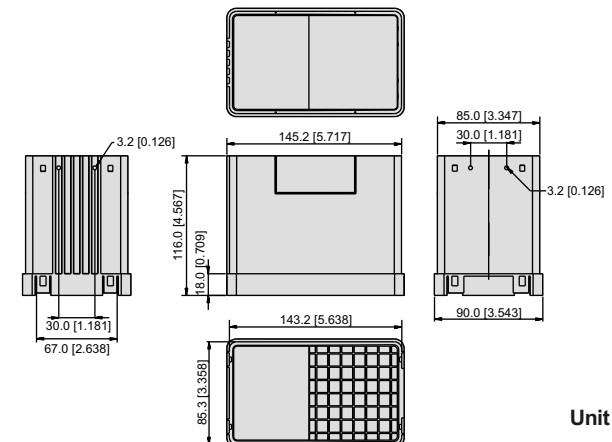


Figure 2

Unit : mm [inch]

5-1. Adjustment Coin Dimensions

Table 2

Model Type	Applicable Coin Size						
Type A	Diameter	20mm~26mm	Thickness	1.5mm~2.4mm			
20mm	Diameter						
	20mm~22mm						
	Thickness						
22mm	Diameter						
	22mm~24mm						
	Thickness						
24mm	Diameter						
	24mm~26mm						
	Thickness						
Type B	Diameter	26mm~30mm	Thickness	1.5mm~2.4mm			
	26mm				Diameter		
					Thickness		
28mm	Diameter						
	28mm~30mm						
	Thickness						
30mm	Diameter						
	30mm						
	Thickness						
	1.5mm~1.9mm						

Table 3

Model Type	Applicable Coin Size						
Type C	Diameter	20mm~23mm	Thickness	1.5mm~2.1mm			
20mm	Diameter						
	20mm~22mm						
	Thickness						
22mm	Diameter						
	22mm~23mm						
	Thickness						
Type D	Diameter	20mm~25mm	Thickness	2.4mm~3.3mm			
	20mm				Diameter		
					Thickness		
22mm	Diameter						
	22mm~23mm						
	Thickness						
24mm	Diameter						
	24mm~26mm						
	Thickness						
	2.4mm~3.3mm						

6. Installation

6-1. Connection

Adjust the mounting bracket of the male connector.

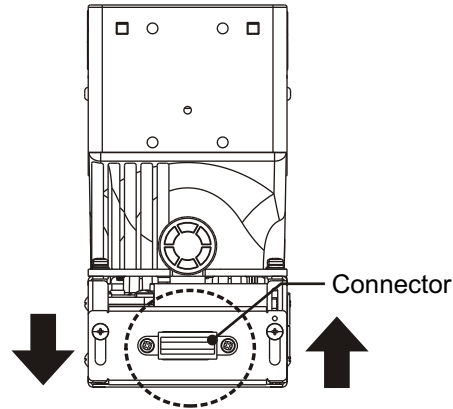


Figure 3

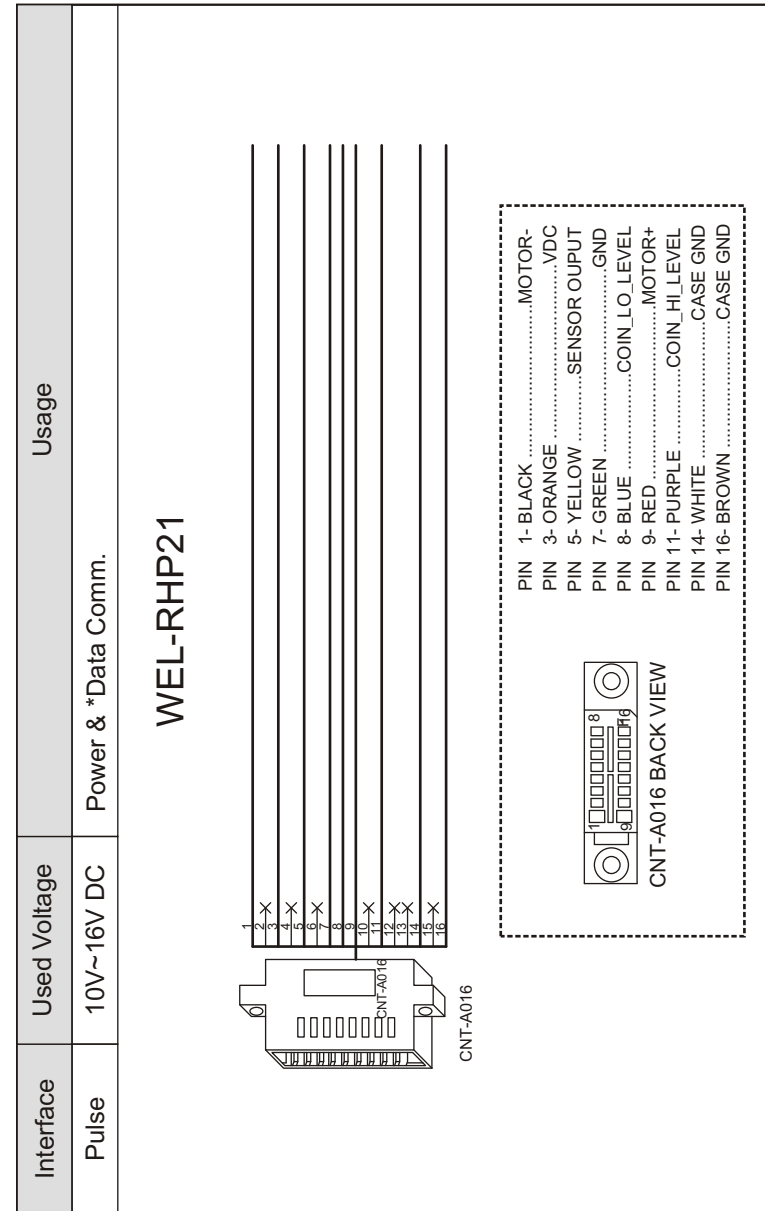


Figure 4

6-2. Heighten Coin Box Installation

Install heighten coin box from top of the coin box, press it down until the “click” sound.

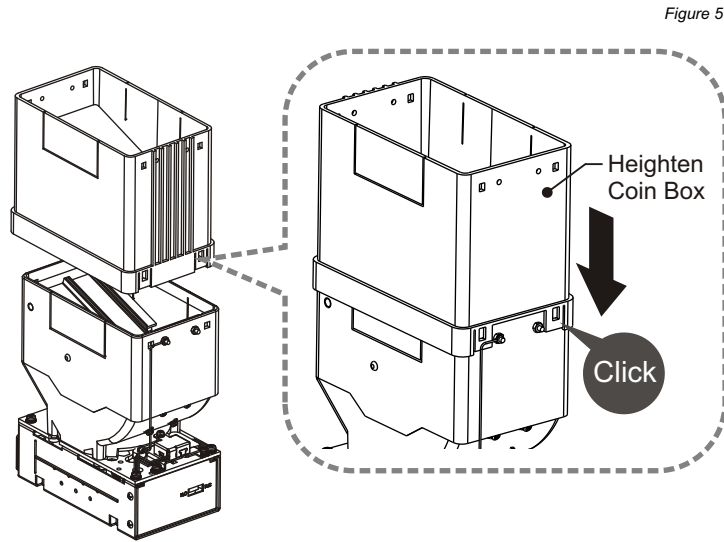
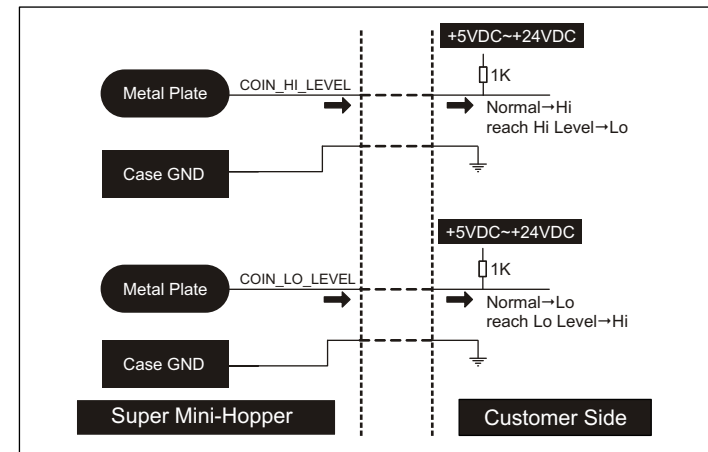
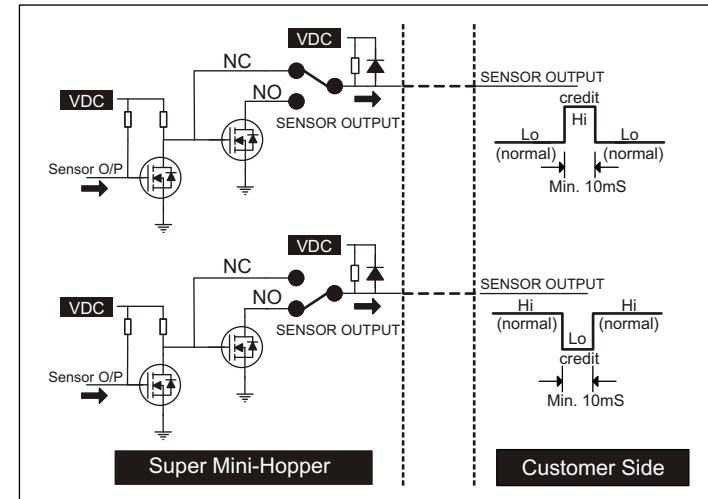


Figure 5

Note: The Heighten Coin Box is an optional part, for purchasing, please contact ICT.

6-3. I/O Circuit

Figure 6



6-4. Credit Output Setting

Figure 7

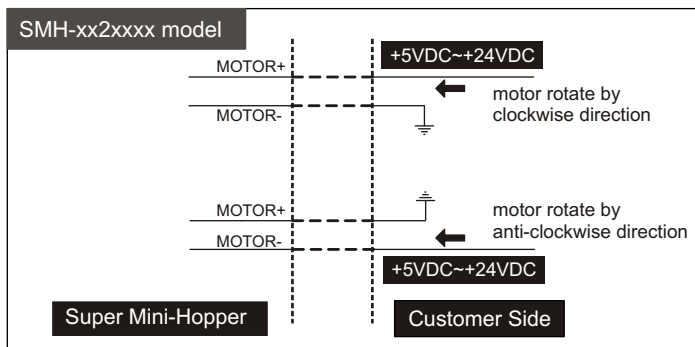
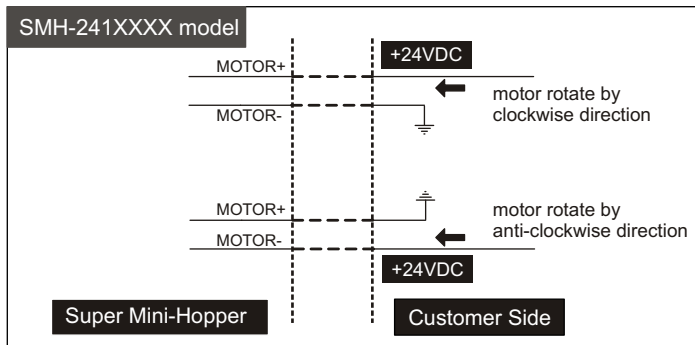
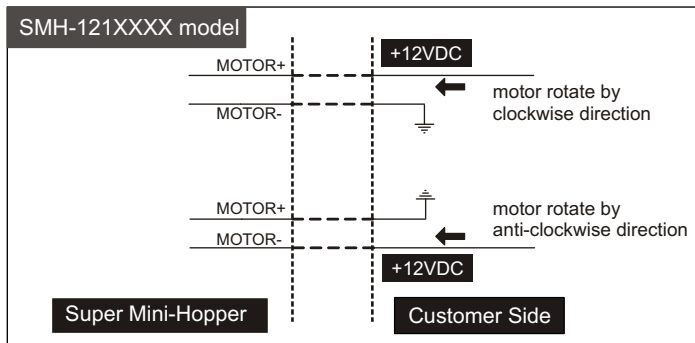
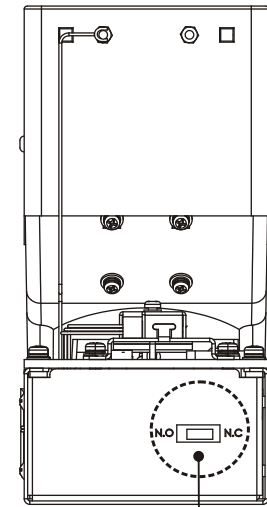


Figure 8



Credit Output Function

❖ Credit Output Setup

N.O. N.C.

Table 4

Credit Output Setup	
N.C	Normal Low
★ N.O	Normal High

(★) Default



Please setup credit voltage according to input voltage, the default value is suggested; for exceptions, please contact ICT.

7. Maintenance

To make sure Super Mini Hopper always works smoothly, please clean the internal parts from every two weeks to every two months.

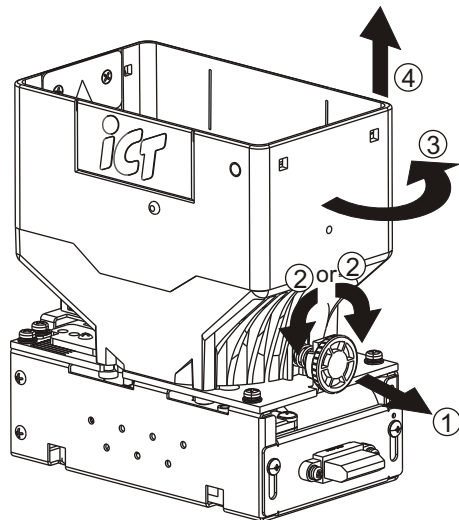


Please make sure Super Mini Hopper is OFF before cleaning.

To clean the internal parts:

1. Remove the coin box. (As figure below)
2. Use a dry, soft cloth or brush to clean internal parts and coin path.
3. Use a dry, soft cloth or towel to clean the coin box.

Figure 9



ict Taiwan

International Currency Technologies Corporation

Ji-Hong Building, No 24, Alley 38, Lane 91, Nei-hu Rd., Sec. 1, Taipei, Taiwan, R.O.C.

Tel: 886-2-2797-1238 · Fax: 886-2-2797-1634

sales@ictgroup.com.tw (For Sales)

rma@ictgroup.com.tw (For Customer Service)

Website: www.ictgroup.com.tw



Maintenance Notice

(Any improper maintenance will result invalid warranty.)

Recommended	Mild, non-abrasive, soap water.
DO NOT USE	Organic solvent , Alcohol, Volatility liquid.