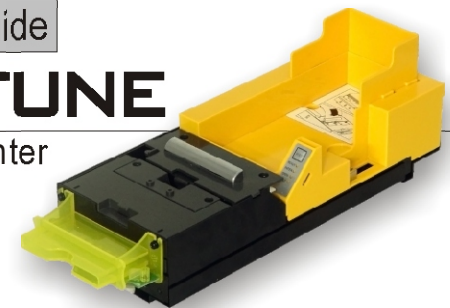




Installation Guide

FORTUNE

Gaming Printer



Use of Materials Limitations

International Currency Technologies Corporation (ICT) all rights reserved.
All materials contained are the copyrighted property of ICT.
All trademarks, service marks, and trade names are proprietary to ICT.

ICT reserves the right at all times to disclose or to modify any information as ICT deems necessary to satisfy any applicable law, regulation, legal process or governmental request, or to edit, refuse to post or to remove any information or materials, in whole or in part, in ICT's sole discretion.

Contents

| | |
|-----------------------------------|----|
| 1. Introduction..... | 2 |
| 1-1. Overview..... | 2 |
| 1-2. Features..... | 2 |
| 2. Specifications..... | 3 |
| General..... | 3 |
| Electrical..... | 3 |
| Mechanical..... | 4 |
| 3. Dimension..... | 5 |
| 4. Installation..... | 7 |
| 4-1. Harness Application..... | 7 |
| 4-2. I/O Circuits..... | 9 |
| 4-3. DIP Switch Setting..... | 11 |
| 4-4. Download..... | 12 |
| 4-5. How to place the ticket..... | 15 |
| 4-6. Logo Information..... | 16 |
| 5. Maintenance..... | 17 |
| 6. Trouble Shooting..... | 18 |

1. Introduction

1-1. Overview

The Fortune is a brand new gaming printer that fits the Ticket In and Ticket Out (TITO) system perfectly, and has the ability to connect to the slot machine and print tickets for players in real time. In addition to the game port (RS-232), a separate USB port is provided for convenient firmware upgrades.

1-2. Features

- Reliable, durable, easy maintenance
- High-speed, superior printing quality
- Hot swappable

2. Specifications

General

| | |
|-------------------------|--|
| Printing Method: | Direct Thermal |
| Printing Speed: | Up to 120±5 mm/s (Depend on content) |
| Paper Size: | Length 156±1 mm/6.14±0.0039 inches Width 65± 1 mm/2.59±0.0039 inches Thickness 0.1mm/0.0039 inches |
| Resolution: | 8 dots/mm (203 dpi) |
| Capacity: | 200 Tickets / 400Tickets |
| Sensors: | Paper Low, Paper Out Printer Drawer Open Ticket Taken, Ticket Jam Cover Open |
| Fonts: | 3 (8.5 cpi, 12.7 cpi, 25.4 cpi) |
| Barcodes: | Interleaved 2 of 5 |
| Interface: | RS-232 (ICT Protocol) |

Electrical

| | |
|-------------------------------|--|
| Power Source: | 24V DC (±10%) |
| Power Consumption: | Standby: 0.2A, 4.8W Operation: 3.5A, 84W Maximum: 4.5A, 108W |
| Operation Environment: | Operation Temperature: 0 ~ +50 °C Storage Temperature : -20 ~ +60 °C Humidity: 10~50 % RH (no condensation) |

Mechanical

Dimension: 112 x 105 x 286 mm/
4.41 x 4.13 x 11.26 inches

Weight: Approx. 1.5 kg

Recommended Applications: Indoor Gaming

Ticket Material Thermal Paper

Ticket Weight 102g/m2

Ticket Size 2.56 inches (65 mm.) W
x 6.14 inches (156 mm.) L

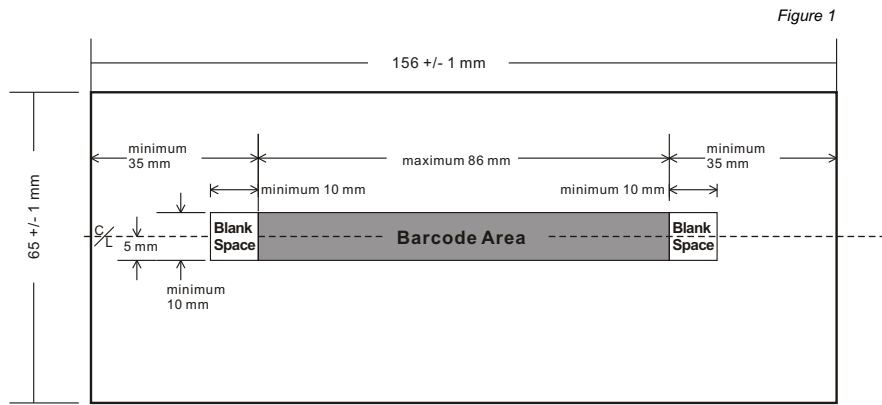


Figure 1

Regulatory Compliance

CE Class A

3. Dimension

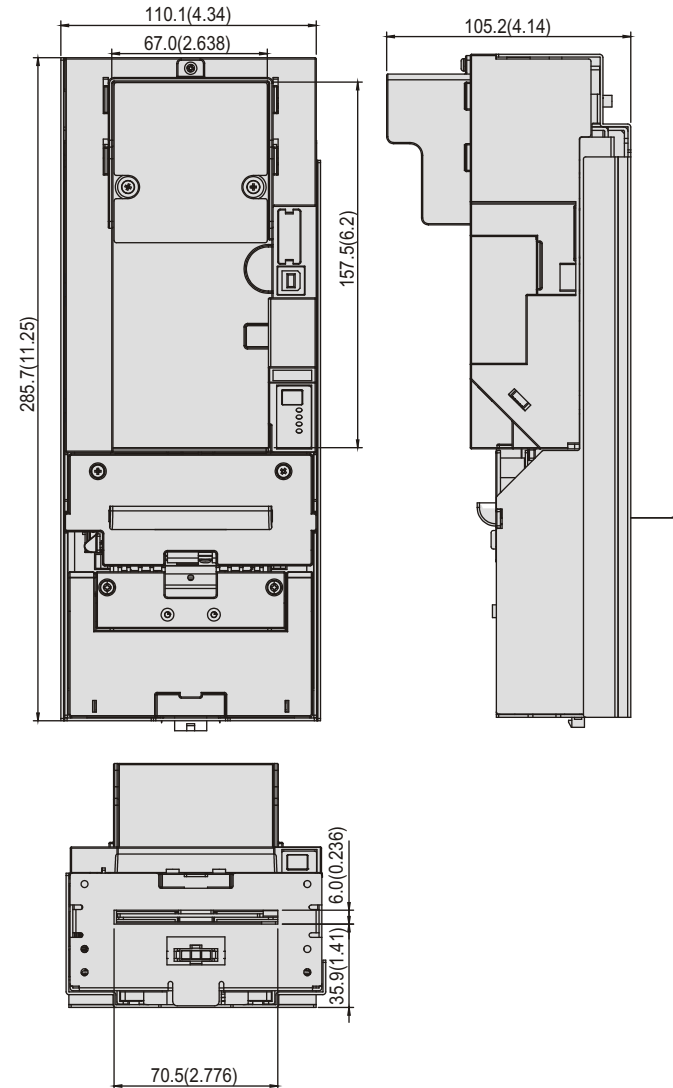


Figure 2

Unit : mm [inch]

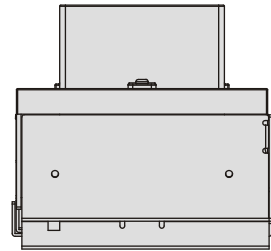
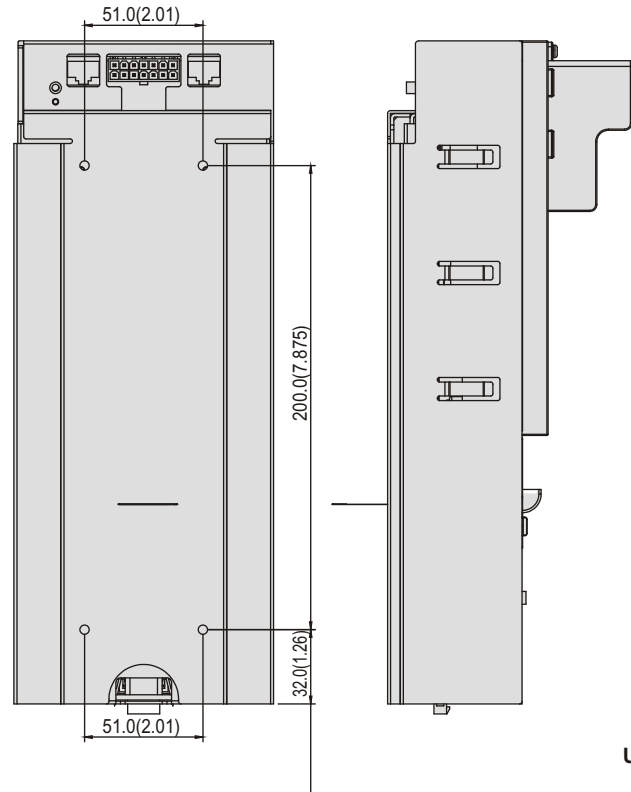


Figure 3



Unit : mm [inch]

4. Installation

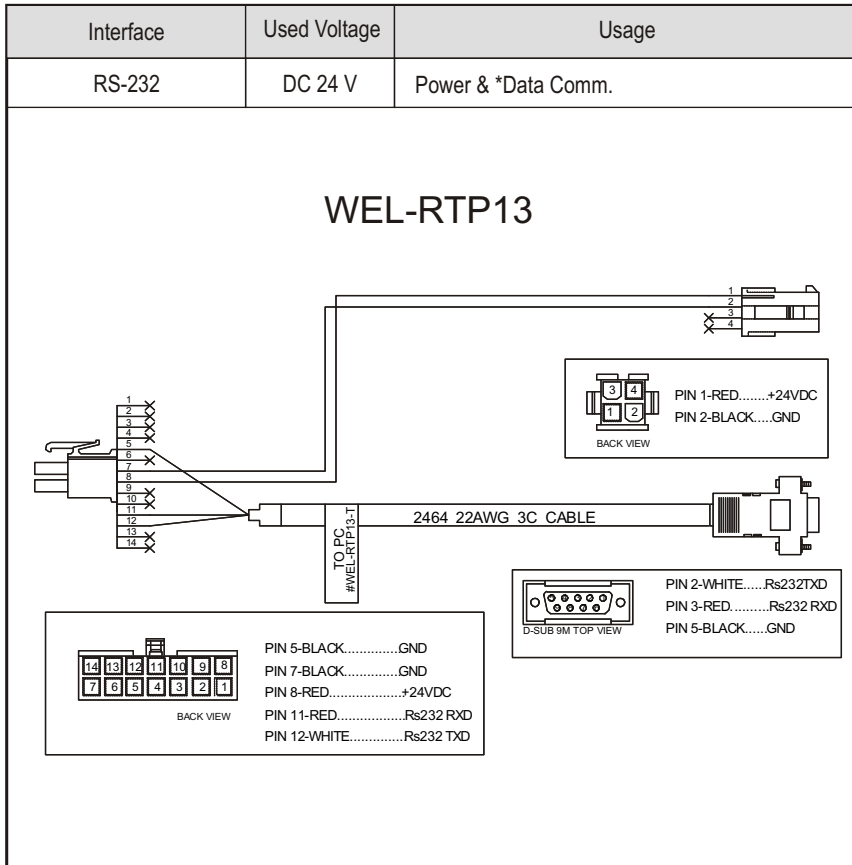
4-1. Harness Application

Table 1

| Interface | Used Voltage | Usage | Harness | Page |
|-----------|--------------|---------------------|-----------|------|
| RS-232 | DC 24 V | Power & *Data Comm. | WEL-RTP13 | 8 |

*Data Comm.: Data Communication.

Figure 4



4-2. I/O Circuits

RS-232 Communications Interface PCB

The RS-232 interface connector is a 14 position Molex Minifit JrR., part number 39-30-1140, which mates with Molex part number 39-01-2140 or equivalent.

Table 2

| | | | | | | |
|---|---|----|----|----|----|----|
| 1 | 2 | 3 | 4 | 5 | 6 | 7 |
| 8 | 9 | 10 | 11 | 12 | 13 | 14 |

| RS-232 Communication PCB Pin-Outs | | |
|-----------------------------------|-----------------------------|-----|
| PIN# | FUNCTION | I/O |
| 1 | Not Connected | - |
| 2 | Not Connected | - |
| 3 | Not Connected | - |
| 4 | Not Connected | - |
| 5 | GND | I |
| 6 | +24VDC | I |
| 7 | GND | I |
| 8 | +24VDC | I |
| 9 | Bezel Lamp -Switched +24VDC | O |
| 10 | FGND | - |
| 11 | RS-232 RXD | I |
| 12 | RS-232 TXD | O |
| 13 | Not Connected | - |
| 14 | Not Connected | - |

RS-232 Communication PCB Pin-Outs

Figure 5

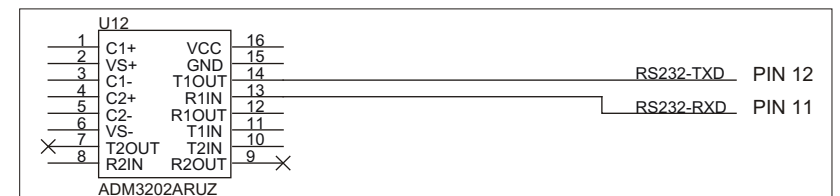
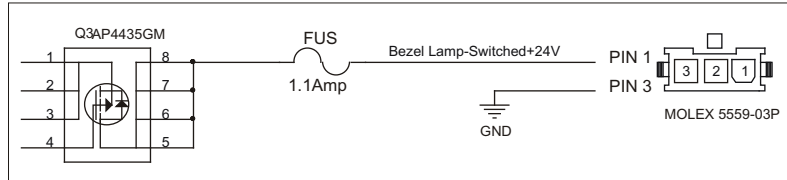


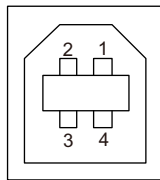
Figure 6



USB Communications Interface PCB

The USB Communications PCB contains two connectors.
 -Power - 4 position Molex Minifit JrR., part number 39-30-1040, which mates with Molex part number 39-01-2040 or equivalent
 -USB Communications - Type B USB connector.

Table 3



| USB Communications PCB Pin-Outs | | |
|---------------------------------|----------|-----|
| PIN# | FUNCTION | I/O |
| 1 | VBUS | - |
| 2 | D- | I/O |
| 3 | D+ | I/O |
| 4 | GND | - |

4-3. DIP Switch Setting

Figure 7

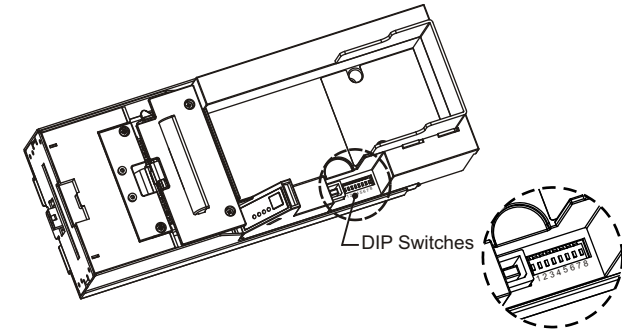


Table 4

Fortune DIP Switch Setting Table

| SW | OFF | ON |
|----------------------|--|---|
| SW1 | Unable Detect Printing Barcode | *Able Detect Printing Barcode |
| SW2 | Inventory Level Low-OFF | * Inventory Level Low-ON |
| SW3 | Ticket Jam detection - OFF | * Ticket Jam detection - ON |
| SW4 ^{Note1} | * Normal Mode | Testing Mode |
| SW5 | * Unable Press Feedkey 5sec to upgrade software by USB | Able Press Feedkey 5sec to upgrade software by USB ^{Note2} |
| SW6 | * Reserved | Reserved |
| SW7 | * Reserved | Reserved |
| SW8 | * Reserved | Reserved |

Notes: * means factory setting
 Notes 1: In normal mode, the self-testing will be printed after pressing FeedKey.
 In testing mode, the default Demo Barcode will be printed after pressing FeedKey.
 Notes 2: SW5 Reset function can be used while the machine is not printing.
 In case of Ticket Burst, the machine needs to be rebooted.

4-4. Download

1.Connect Fortune to PC USB, and turn on the machine.

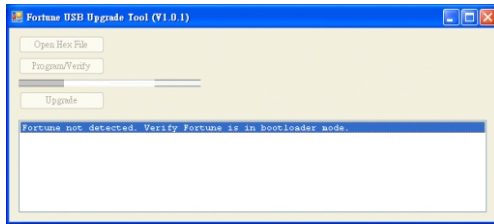


Figure 8

2..Start the Fortune USB Upgrade Tool.
The following screen shows the USB has successfully connected.

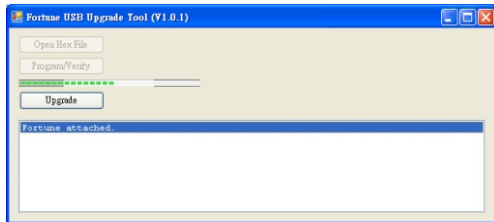


Figure 9

3.Press the "Upgrade" button.

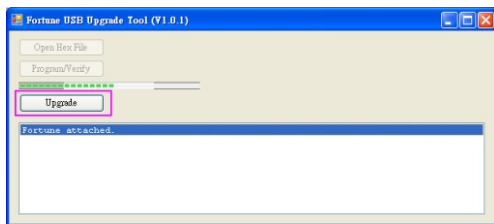


Figure 10

4.Please select the desired file to upgrade.

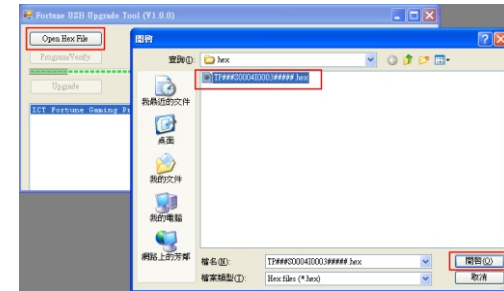


Figure 11

4-1.The upgrade will begin after select the right file.

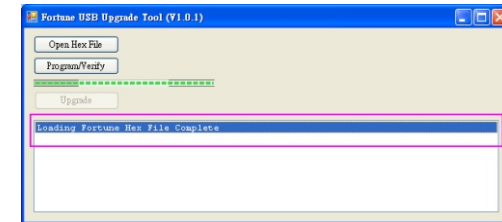


Figure 12

4-2.The following screen shows the wrong file is selected.

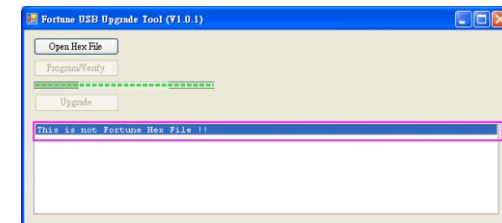


Figure 13

5. Press "Program/Verify" button, the upgrade will begin.

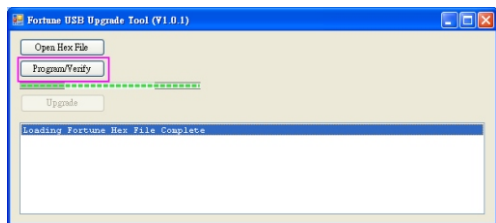


Figure 14

6. The upgrade completed.

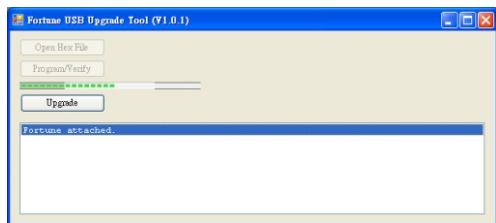


Figure 15

*1. The screens shown above may not be the latest version. Please follow the latest software releases.

4-5. How to place the ticket

Load the new ticket stacks.

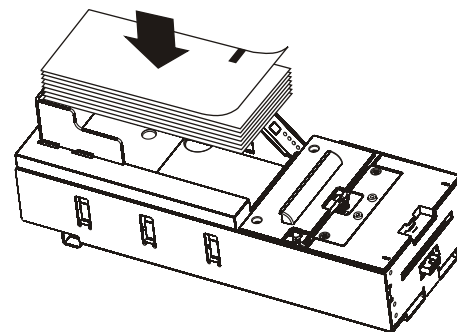


Figure 16

Insert the first ticket into the printer.

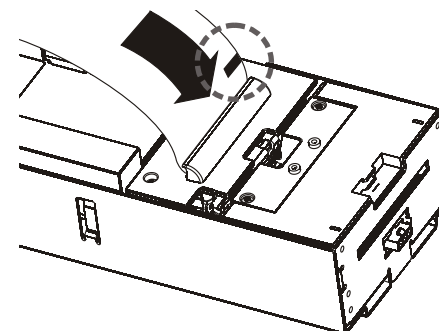
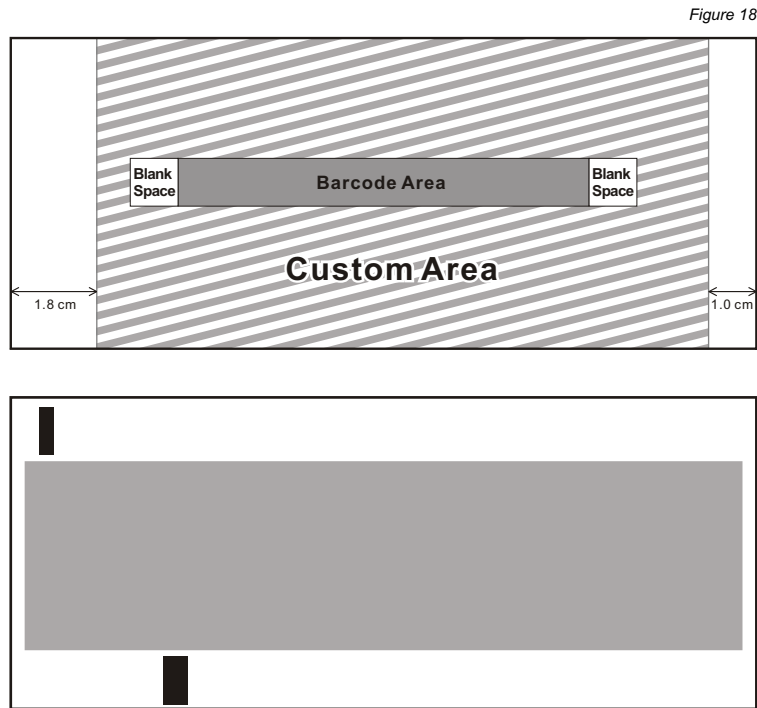


Figure 17

4-6. Logo Information

Logo Format bmp, jpg
 Location Custom Area



5. Maintenance

Open the cover, and use soft brush or low-pressure air to clean the dirt or foreign objects.

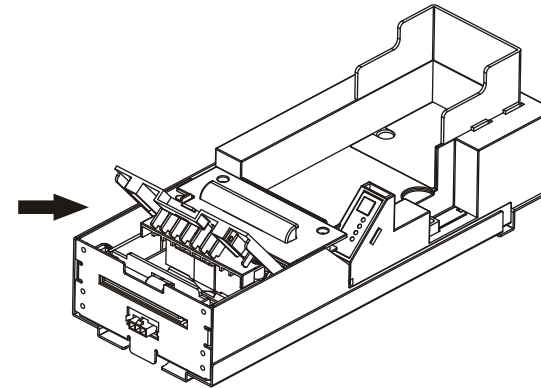


Figure 19

| | | |
|--|---|--|
| | Maintenance Notice | |
| | <i>(Any improper maintenance will result invalid warranty.)</i> | |
| | Recommended | Mild, non-abrasive, soap water. |
| | DO NOT USE | Organic solvent , Alcohol, Volatility liquid. |

6. Trouble Shooting

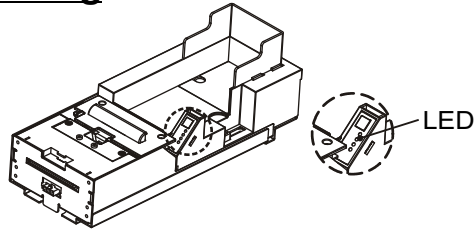


Figure 20

Fortune Trouble Shooting

Table 5

| FLASHES | | | | ERRORS | CORRECTIVE ACTIONS |
|---------|----------------------------|-------|-------|--|---|
| Ready | Paper | Open | Fault | Status | |
| ON | X ^{Note1} | ON | X | Cover Open | Please open the upper cover. |
| ON | X | BLINK | X | Chassis Open | Please close the chassis. |
| ON | ON | X | X | Ticket Out | Take out and reload the ticket. |
| ON | BLINK (2) ^{Note5} | X | X | Without Ticket | Please put the ticket. |
| ON | BLINK (1) ^{Note6} | X | X | Ticket Low | Low tickets prompts, replace with new tickets if necessary. |
| ON | X | X | BLINK | Ticket Burst ^{Note2} | Printing problem. Please check if there is damage on the printing head. If damaged, please replace a new printing head. |
| BLINK | X | X | BLINK | Ticket Jam ^{Note3} | Please open the upper cover and take out the ticket. |
| BLINK | X | BLINK | X | Thermal Roller Detached ^{Note4} | Please re-attach the thermal roller and hook back to the original position. |
| BLINK | BLINK | BLINK | BLINK | Checksum Error | Please check the correctness of the program, and re-download the program |

Note 1: X means not available.

Note 2: Ticket Burst, need to restart the machine

Note 3: Ticket Jam. Please open the upper cover and take out the tickets, then close the cover.

Note 4: Thermal Roller Detached. Need to re-load the ticket after re-attached the thermal roller.

Note 5: Flashes two times in one second.

Note 6: Flashes one times in one second.

Note 7: If there are two or more statuses on the above table, the flashes will show them all.

Ex: Chassis Open and Ticket Low, the LED status is as follows:

Table 6

| LED | Ready | Paper | Open | Fault |
|--------|-------|-------|-------|-------|
| STATUS | ON | BLINK | BLINK | OFF |

ict Taiwan
International Currency Technologies Corporation

Ji-Hong Building, No 24, Alley 38, Lane 91, Nei-hu Rd., Sec. 1, Taipei, Taiwan, R.O.C.

Tel: 886-2-2797-1238 · Fax: 886-2-2797-1634

sales@ictgroup.com.tw (For Sales)

rma@ictgroup.com.tw (For Customer Service)

Website: www.ictgroup.com.tw



If the error can not be solved after corrective actions or happens again, please contact ICT or agents for technical support.